

TERMINAL BLOCK Connector

KLSelectronic
www.cnkls.com

Barrier Series

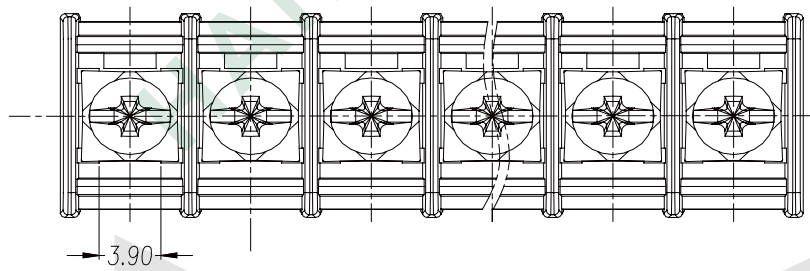
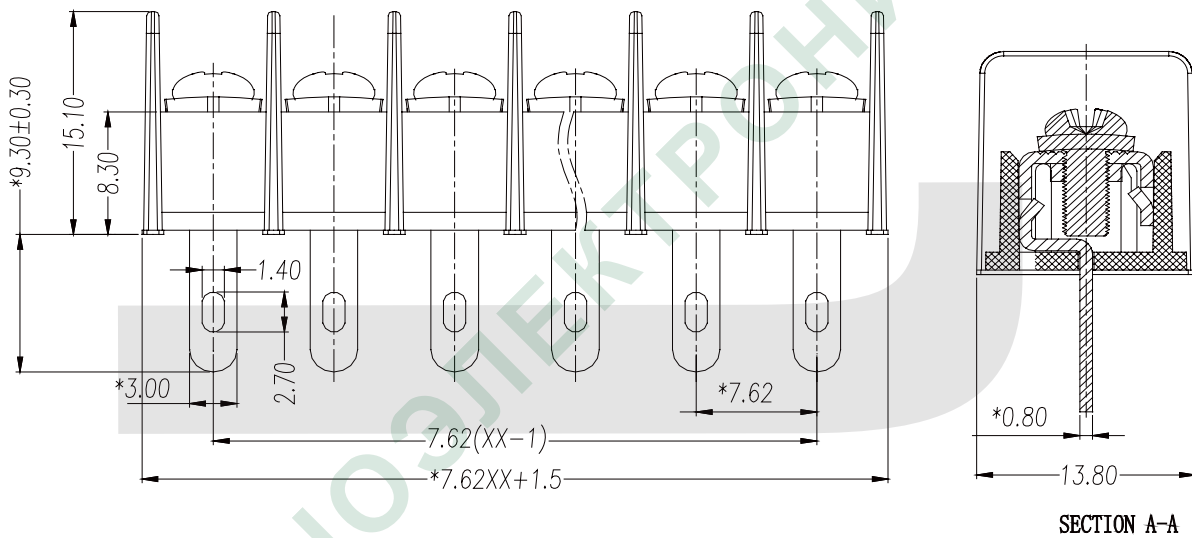
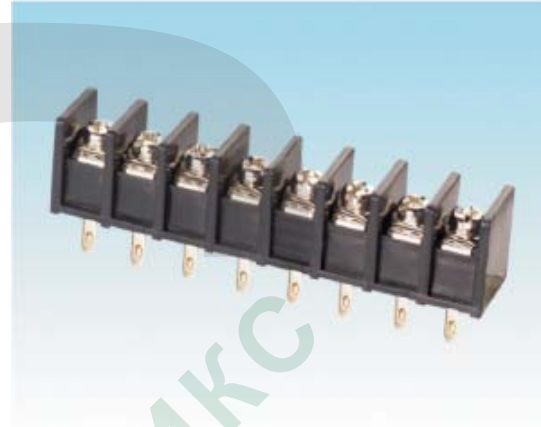
KLS2-25C-7.62 Series

Electrical

Voltage rating : 300V
Current rating : 10A
Wire range : 14-22AWG
Operation temperature : -40°C to +105°C
Torque : 4kg/cm
Insulation Resistance: 500MΩ/DC500V
Withstanding Voltage: AC2000V/Min

MATERIAL

Housing : PA 66 UL94V-0
Terminal : Brass 0.8t, Tin plated
Screws : M3 Steel, Nickel Plated



ORDER INFORMATION

Product NO.: KLS2-25C-7.62 XXP B

Pos. NO.

Series No.

Pitch 7.62=7.62mm

A=Mount Ends B=Barrier Ends

Pin Number

TERMINAL BLOCK Connector

Barrier Series

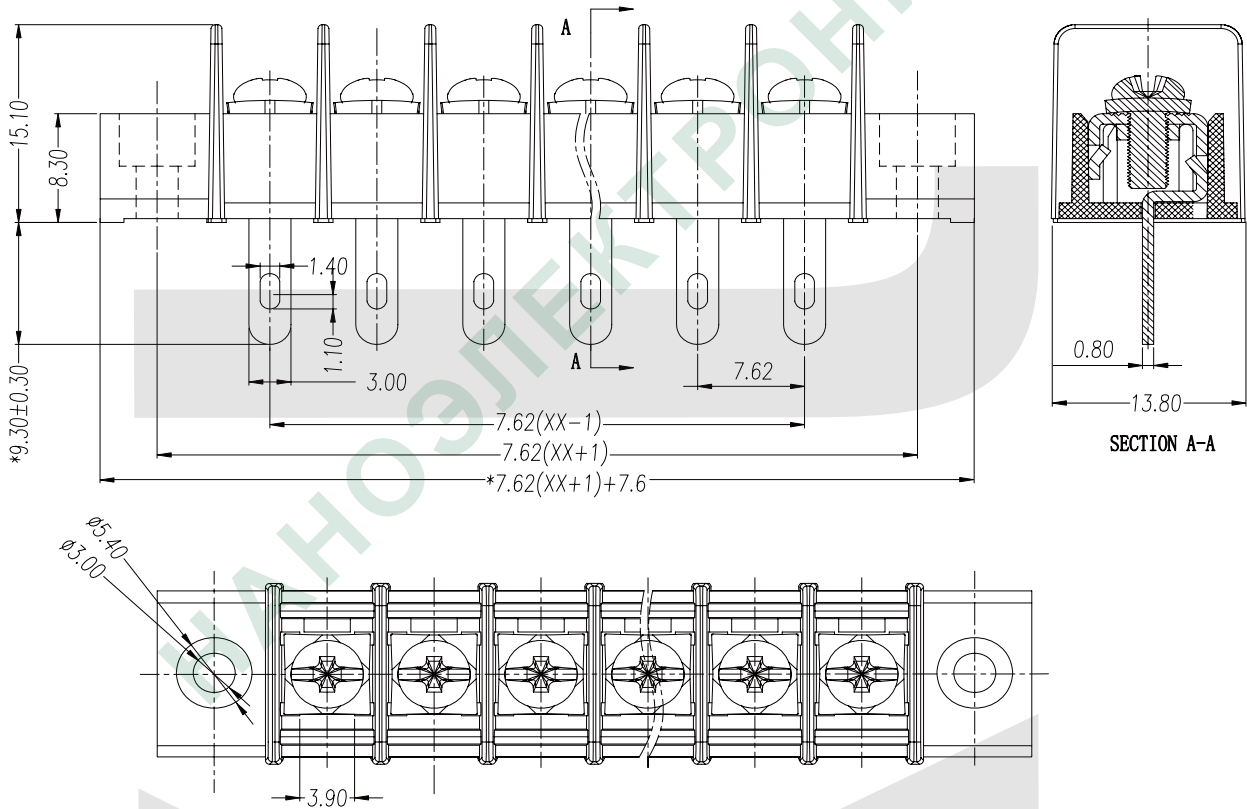
KLS2-25C-7.62 Series

Electrical

Voltage rating : 300V
 Current rating : 10A
 Wire range : 14-22AWG
 Operation temperature : -40°C to +105°C
 Torque : 4kg/cm
 Insulation Resistance: 500MΩ/DC500V
 Withstanding Voltage: AC2000V/Min

MATERIAL

Housing : PA 66 UL94V-0
 Terminal : Brass 0.8t, Tin plated
 Screws : M3 Steel, Nickel Plated



ORDER INFORMATION

Product NO.: KLS2-25C-7.62 XXP A

Pos. NO. _____

Series No. _____

Pitch 7.62=7.62mm _____

A=Mount Ends B=Barrier Ends

Pin Number _____