

Connector

I

D-SUB Series

KLS1-223 (D-SUB IDC WITH SHIELDING & COVER TYPE)

Technical parameters:

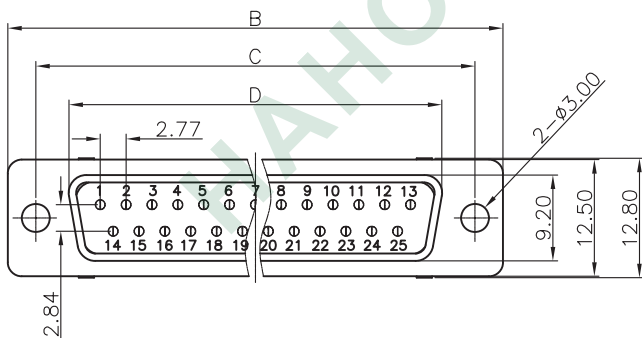
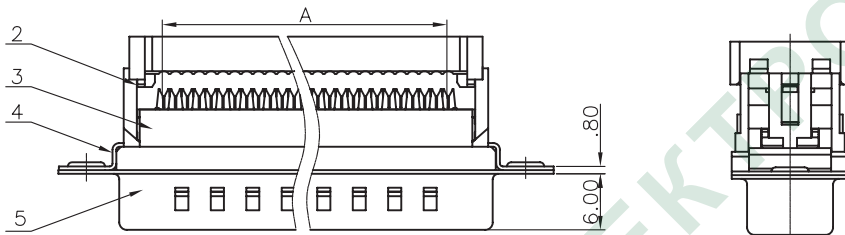
- 1.Contact Resistance:30mΩ Max.
- 2.Dielectric Withstanding Voltage:
500V AC(rms) For 1 Minute.
- 3.Insulation Resistance:1000MΩ Min.
- 4.Durability:300 Cycles.
- 4.Operation Temperatur:-40°C +105°C.

Material:

- 1.Insulator:Thermoplastic (UL94V-0)
- 2.Shell:Steel
- 3.Contact:Copper Alloy



Male



Position	A±0.1	B±0.2	C±0.2	D±0.2		E±0.2
				Male	Female	
9P	10.16	30.80	24.99	17.90	16.33	19.00
15P	17.78	39.14	33.32	26.50	24.66	27.34
25P	30.48	53.04	47.04	40.00	38.38	41.24
37P	45.72	69.32	63.50	56.50	54.84	57.52

ITEM	PART NAME	MATERIAL	FINISHED
1	UPPER COVER	PBT 30%G.F	UL 94 V-0
2	MIDDLE COVER	PBT 30%G.F	UL 94 V-0
3	HOUSING	PBT 30%G.F	UL 94 V-0
4	WASHER	STEEL	Tin Plated
5	SHELL	STEEL	Nickel Plated

ORDER INFORMATION

Product NO.: KLS1-223-XX-M-L



Connector

I

D-SUB Series

KLS1-223 (D-SUB IDC WITH SHIELDING & COVER TYPE)

Technical parameters:

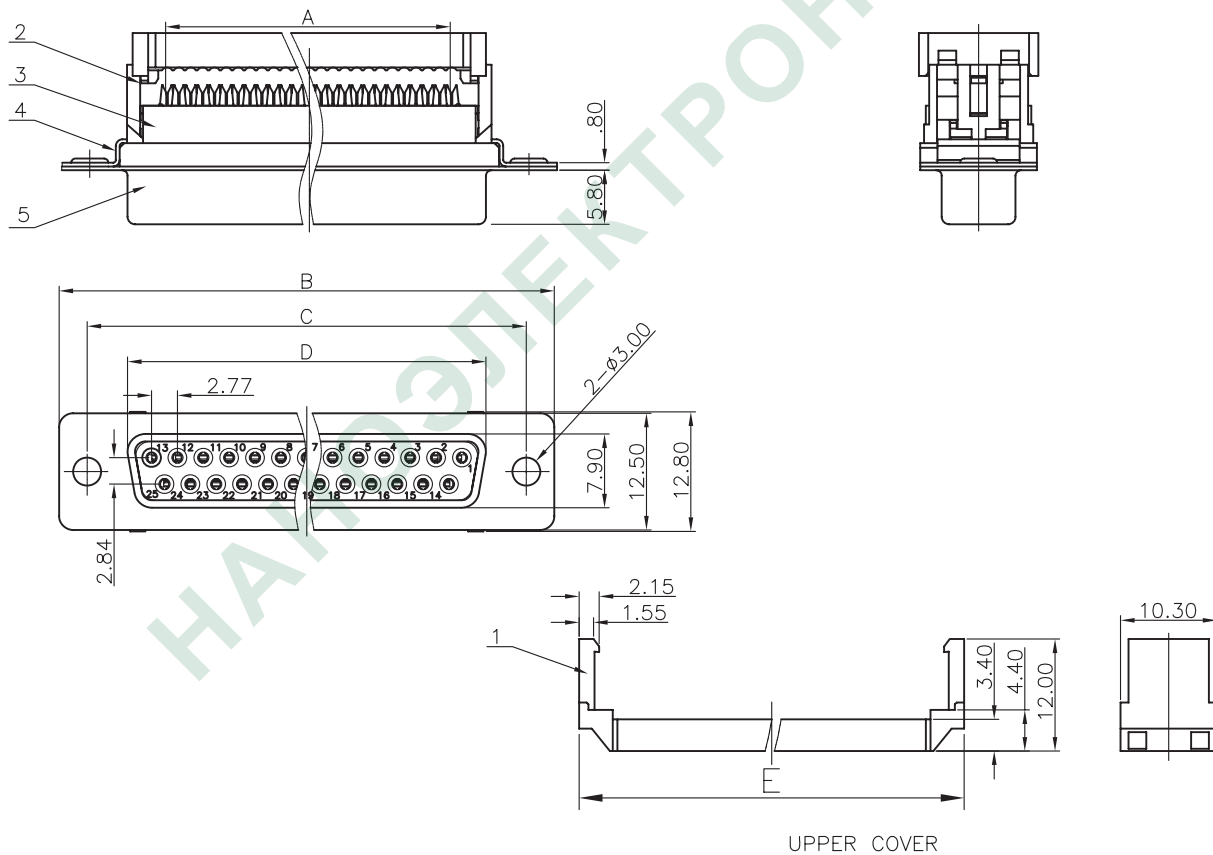
- 1.Contact Resistance:30mΩ Max.
- 2.Dielectric Withstanding Voltage:
500V AC(rms) For 1 Minute.
- 3.Insulation Resistance:1000MΩ Min.
- 4.Durability:300 Cycles.
- 4.Operation Temperatur:-40°C +105°C.

Material:

- 1.Insulator:Thermoplastic (UL94V-0)
- 2.Shell:Steel
- 3.Contact:Copper Alloy



Female



ORDER INFORMATION

Product NO.: KLS1-223-XX-F-L

